

**Modular** design can produce seven (7) unique configurations from 8028 & 8030 and reduce part numbers to stock for all build requirements.

**Blown Fuse LEDs** speed correction of system faults & improve ability to remotely diagnose customer issues.

**Harsh Environment** design with stainless steel self-locking hardware and optional weather-proof labels in standard or customized options <sup>(1)</sup>



Available also in 18 circuit versions

**EXPERTLY ENGINEERED**

**PREFERRED BY PROFESSIONALS**



**Protects Branch Circuits** by accepting ATO style fuses ranging from 1 through 40 Amps.



**Modular Design** allows installers to stock only two basic products (8028 & 8030) while retaining ability to easily construct all variations, or purchase individually from factory. Ground block can optionally be re-located away from block for improved wire routing.



**LED Blown Fuse Indication** provides rapid diagnostic feedback of system faults, allowing technicians improved ability to remotely diagnose or identify the source issue.



**Supports SAE Circuit Protection Standards** for thermal/short circuit events.



**Spare Fuse Locations** in each 6 output block (qty 2) allow rapid repairs of likely blown fuses and a location to store a test resistor for siren testing.

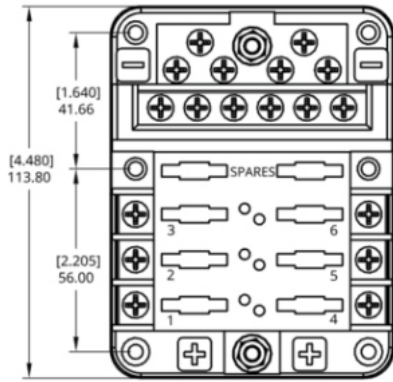


**Bulletproof Construction:** Designed with high temperature materials and stainless steel self-locking hardware allow mounting anywhere on vehicle.

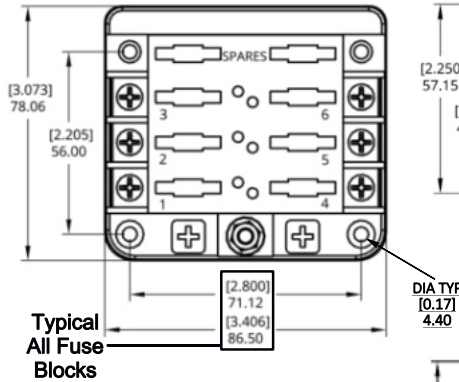


**4 Year Industry Leading Warranty**

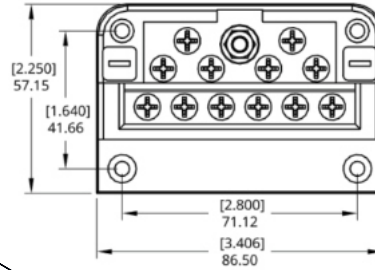
8025



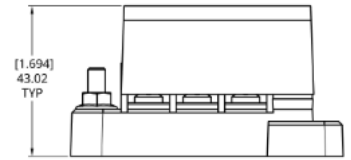
8028



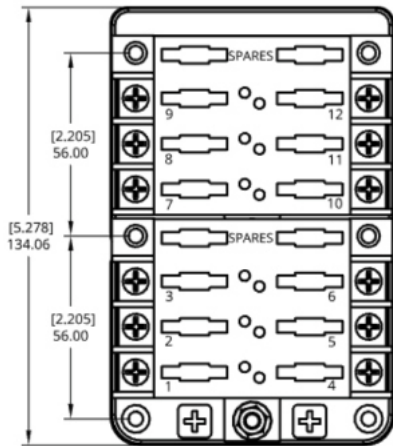
8030



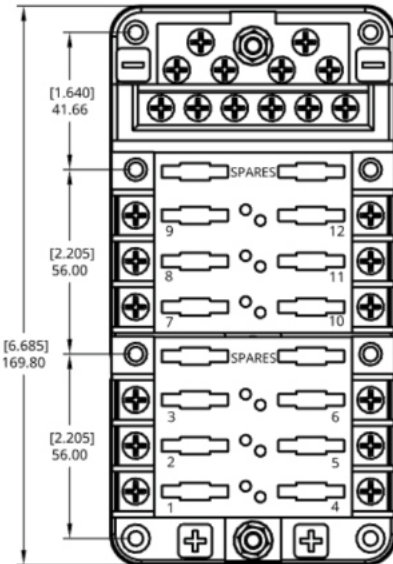
ALL



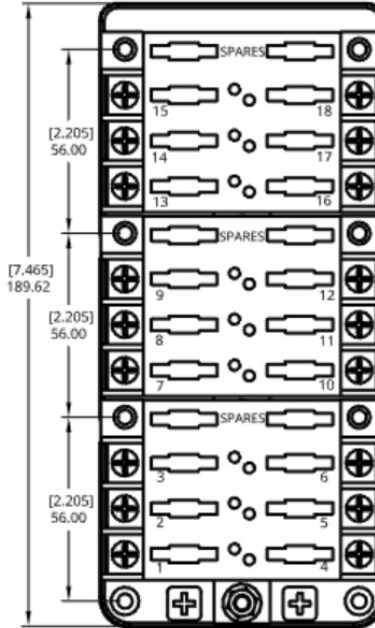
8029



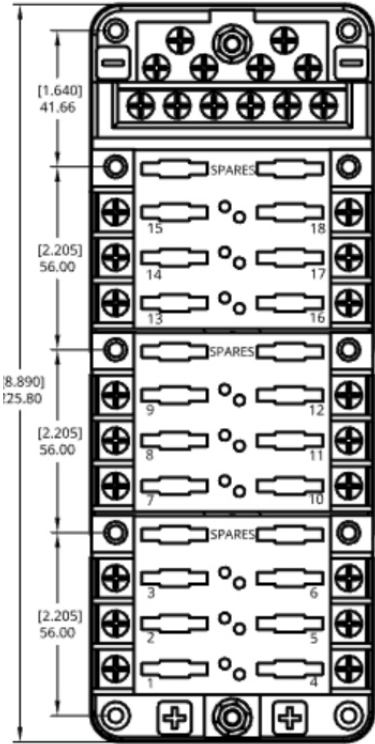
8026



8032



8031



Specifications

Nominal Voltage	12 / 24 Vdc
Voltage Range	0 - 36 Vdc
Maximum Current (Entire Block)	100 A
Maximum Current Per Circuit	30 A
Max Total Current Circuits #13-#18	40 A
Maximum Output Terminal Size	10 AWG
Input Cable Size to Meet Ratings	6 AWG
Maximum Input Terminal Size	2 AWG
Hardware Material	18-8 Stainless
Input Terminal Nut Size	M5-0.8
Output Screw Size	M4-0.7 x 8mm
Input Terminal Torque	1.70 N-m (15 in-lb)
Output Screw Torque	1.13 N-m (10 in-lb)
Input Ring Terminal Hole Size	M5 / #10 / 1/4"
Output Ring Term Hole Size	M4 / #8
Input Nut Hex Size / Nut Clearance	8 mm / 12 mm

Part Numbers

	Retail	Bulk
RT Fuse Block, 6 Circuit w/Ground	8025	8025B
RT Fuse Block, 12 Circuit w/Ground	8026	8026B
RT Fuse Block, 6 Circuit	8028	8028B
RT Fuse Block, 12 Circuit	8029	8029B
RT 12 Circuit Ground Block	8030	8030B
RT Fuse Block, 18 Circuit w/Ground	8031	8031B
RT Fuse Block, 18 Circuit	8032	8032B
40 Label Set, Emergency Vehicles	8020	8020B

(1) Contact factory for custom label sheet configurations of weather resistant labels design to provide professional finish appearance to installations.

(2) For P/N: 8031 and 8032, Circuits #13 through #18 located on the ending 6 position block are limited to a total of 40 Amps. We recommend utilizing these circuits for low amp circuits.



3135 Mercer Ave, Suite 102  
 Bellingham, WA 98225  
 360.768.1211  
 sales@egismobile.com